

# HARVIA VIRTA

HL110400

The Harvia Virta heater's strong structure and exceptional ease of maintenance make it excellently suitable for those who use the sauna often and like to enjoy the steam for long periods of time.

## Advantages

- A reliable heater with sturdy structure for home sauna and professional use
- The large number of stones guarantees soft and abundant steam. Efficient air circulation heats the sauna very quickly
- Sleek and modern design
- The heating elements are separated from the stones, which results in a long heating element life span
- The maintenance hatch on the front enables quick and easy maintenance without touching the stones



## Features

Main material : Steel

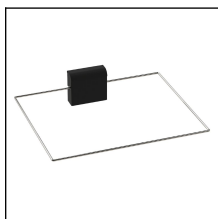
H x W x D : 810.0 x 415.0 x 485.0 mm

Net weight (kg) : 26.6

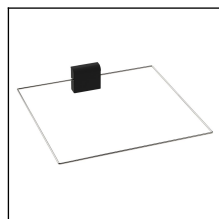
Installation location : Floor

ID	GTIN	Output (kW)	Sauna room size min - max m3
HL110400	6410082613175	11 kW	9.0-18.0

## Related products



SFE-350400



SFE-500500



HL1



HL3



HL3M

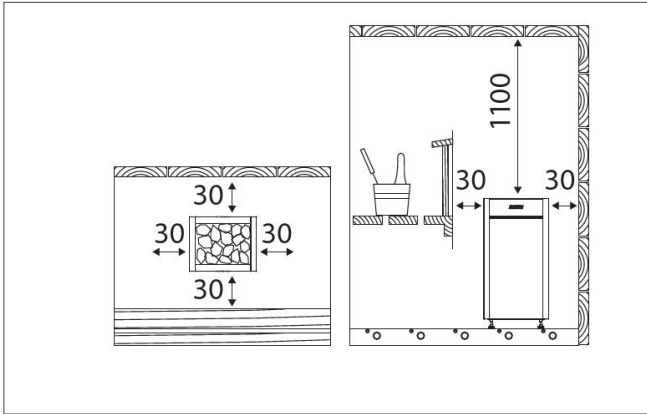
## Spare parts

Product	ID	Pcs
Adjustable leg	ZSA-440	
	ZCU-842	
Solide sauna S2119LD	S2119LD	
Solide sauna S2122LD	S2122LD	
Solide sauna S2125LD	S2125LD	

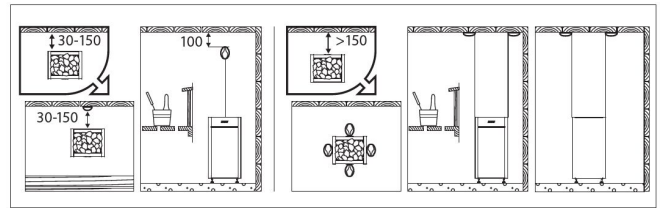
## Technical details

Technical data	Type / attribute	HL110400
Technical data	Color	Black
	Power output	11 kW
	Stone amount (kg)	70
	Product width	415
Dimensions	Product height	810
	Product depth (mm)	485
	Net weight (kg)	26.6
	Gross weight	29
	Package width	500
	Package height	870
	Package depth	505
Safety and installation dimensions	Safety distance front (non-combustible materials)	30
	Safety distance front (combustible materials)	30
	Safety distance side (non-combustible materials)	30
	safety distance to the side wall (combustible materials)	30
	Safety distance behind (non-combustible materials)	30
	Safety distance (Ceiling)	1100
	Room min. height(depends on connections and therefore from output, star/delta)	1900
	Installation opening height	1900
	Installation opening width	475
Installation opening depth	400	

Technical images

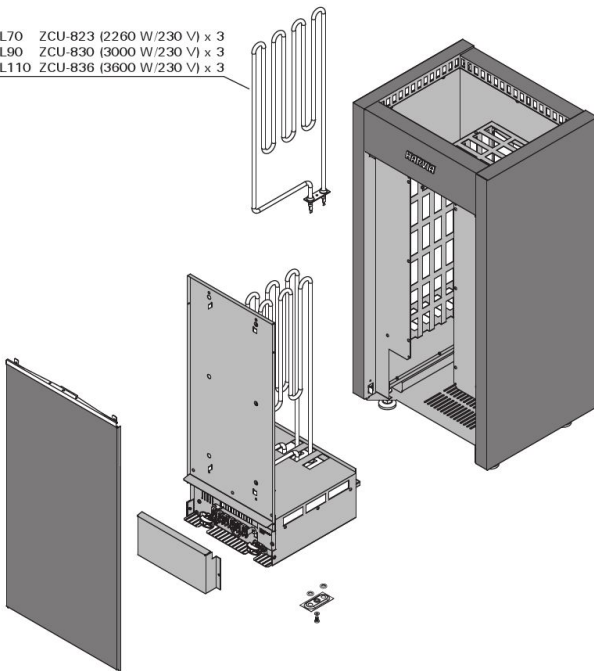


Minimum safety distances (all dimensions in millimeters)

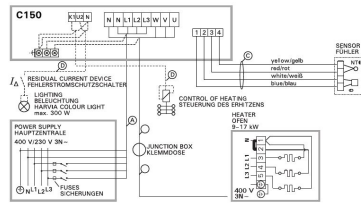


Installing the sensor (all dimensions in millimeters)

- HL70 ZCU-823 (2260 W/230 V) x 3
- HL90 ZCU-830 (3000 W/230 V) x 3
- HL110 ZCU-836 (3600 W/230 V) x 3

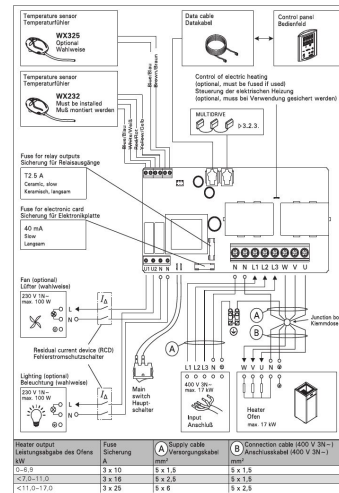


We recommend to use only the manufacturer's spare parts.



Output Leistung	Fuses Sicherungen	RD 760-FI	(T170°C)	(S2)
0-5	5 x 1.5	5 x 1.5	4 x 0.25	3 x 1.5
4.70-11.0	5 x 2.5	5 x 1.5	4 x 0.25	3 x 1.5
11.0-17.0	5 x 6.0	5 x 2.5	4 x 0.25	3 x 1.5

Electrical connections of control unit C150 and HL heater



Electrical connections of control unit C275 and HL heater

