

HARVIA VEGA

HCB230400S

This powerhouse heater for small saunas features operating switches on the top part, making the user experience as ergonomic as only Harvia provides. The heater is easy to install onto the wall mount with one screw and can be mounted very low

Advantages

- Small and compact wall-mounted heater
- Can be installed particularly low on the sauna wall ensuring that the lower benches also enjoy plenty of heat
- The heater's operating switches are located near the top of the heater



Features

Main material : Steel

H x W x D : 505.0 x 280.0 x 295.0 mm

Net weight (kg) : 6.8

Installation location : Wall

ID	GTIN	Output (kW)	Sauna room size min - max m3
HCB230400S	6417659010375	2.3 kW	1.3-2.5

Spare parts

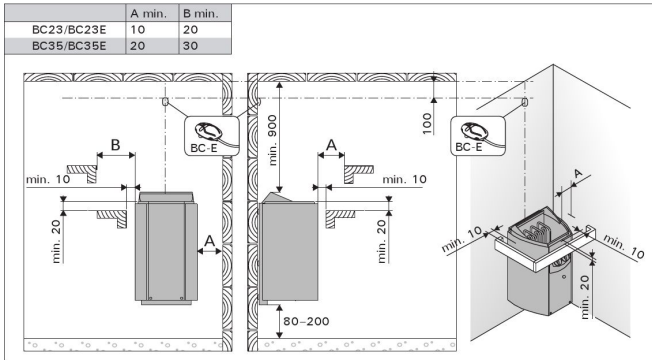
Product	ID	Pcs
Heating element 1150W/230V	ZSB-770	2
Thermostat knob Vega 2009	ZSB-115	1
Timer knob Vega 2009	ZSB-125	1
Timer 4h+8h	ZSK-510	1
Thermostat/overheating limiter switch	ZSK-520	1
Signal light for Vega Compact	ZSI-240	1
Pilot light Vega Compact, red	SPZSI-240	
Heating element 1150W/230V, Vega Compact	SPZSB-770	2
Knob thermostat Vega, black	SPZSB-115	
Knob timer 4+8h Vega, black	SPZSB-125	
Timer 4+8h	SPZSK-510	
Thermostat overheating limiter switch	SPZSK-520	

Technical details

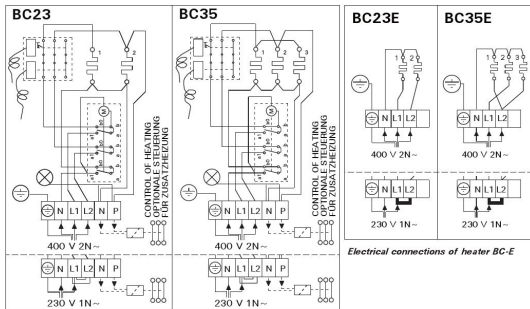
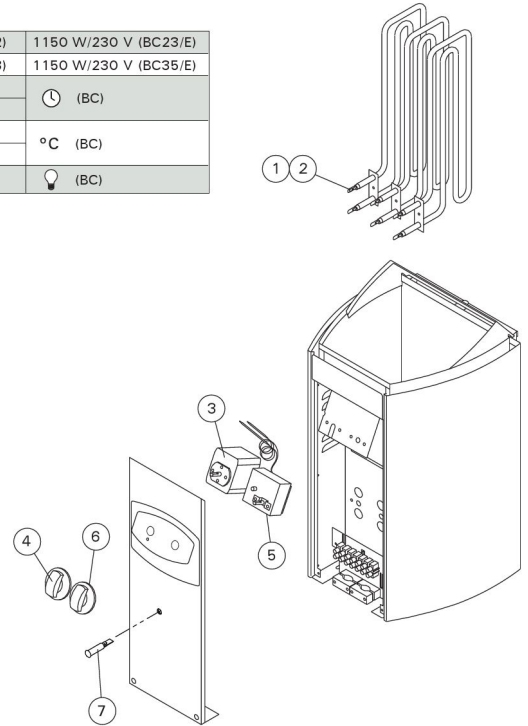
Technical data	Type / attribute	HCB230400S
	Color	Stainless Steel
	Power output	2.3 kW
	Stone sizes	Ø5–10 cm
	Stone amount (kg)	12
Dimensions	Product width	280
	Product height	505
	Product depth (mm)	295
	Net weight (kg)	6.8
	Gross weight	7.9
	Package width	300
	Package height	470
	Package depth	300
Safety and installation dimensions	Safety distance front (combustible materials)	10
	Safety distance right side (combustible materials)	20
	Safety distance left side (combustible materials)	20
	safety distance to the side wall (combustible materials)	10
	Safety distance (Ceiling)	900
	Room min. height(depends on connections and therefore from output, star/delta)	1700
	Installation opening height	1700
	Installation opening width	300
	Installation opening depth	315

Technical images

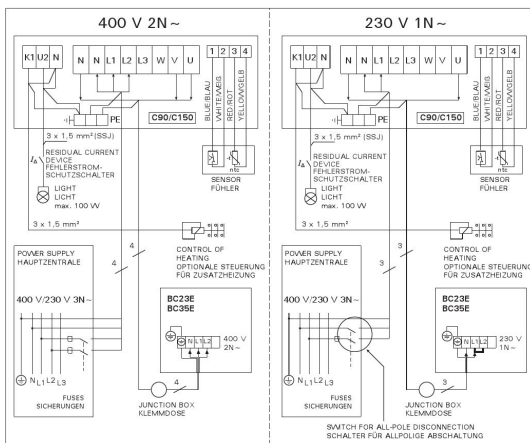
1	ZSB-770 (x 2)	1150 W/230 V (BC23/E)
2	ZSB-770 (x 3)	1150 W/230 V (BC35/E)
3	ZSK-510	
4	ZSB-125	Ⓛ (BC)
5	ZSK-520	°C (BC)
6	ZSB-115	
7	ZSI-240	Ⓛ (BC)



Safety distances (all dimensions in millimeters)



Electrical connections of heater BC



Electrical connections of control unit C90/C150 and heater BC-E