

HARVIA THE WALL

HSWE600400

Harvia The Wall heater was created with a focus on functionality. Easy installation, and durable structure make The Wall heater versatile in its features. The model E sauna heater is controlled by a separate control unit.

Advantages

- Compact, stylish and reliable heater for medium-sized sauna rooms
- The space-saving heater fits in a great variety of saunas
- Controlled by a separate control unit
- Option to integrate heater in sauna bench
- Durable structure and technical features extend heaters lifespan



Features

Main material : Steel

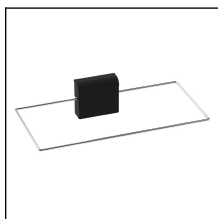
H x W x D : 610.0 x 380.0 x 260.0 mm

Net weight (kg) : 10.1

Installation location : Wall

ID	GTIN	Output (kW)	Sauna room size min - max m3
HSWE600400	6410082660292	6 kW	5.0-8.0

Related products



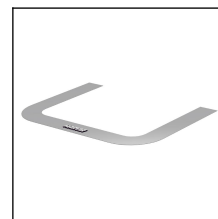
SFE-220400



HSW5



HSW5L



HSW1



HSW5

Spare parts

Product	ID	Pcs
Heating element, The Wall 2000W / 230V	Y10-0015	1
Wall mounting bracket, Wall all models	ZWA-058	1
Grid for The Wall heater	ZWA-023	1
The Wall E, Air flow spoiler	ZWA-059	1
Heating element support for Wall E/Combi	ZWA-077	1
Heating element support The Wall E/Combi, AlZn	SPZWA-077	
Heating element 2000W 230V	SPY10-0015	3
Grid, The Wall heater	SPZWA-023	

Technical details

Technical data	Type / attribute	HSWE600400
	Color	Stainless Steel
	Power output	6 kW
	Stone sizes	Ø5–10 cm
	Stone amount (kg)	20
Dimensions	Product width	380
	Product height	610
	Product depth (mm)	260
	Net weight (kg)	10.1
	Gross weight	11.8
	Package width	460
	Package height	533
	Package depth	264
Safety and installation dimensions	Safety distance front (non-combustible materials)	30
	Safety distance front (combustible materials)	30
	Safety distance right side (combustible materials)	50
	Safety distance right side non-combustible materials	50
	Safety distance left side (combustible materials)	50
	Safety distance left side non-combustible materials	50
	Safety distance side (non-combustible materials)	50
	safety distance to the side wall (combustible materials)	50
	Safety distance (Ceiling)	1200
	Room min. height(depends on connections and therefore from output, star/delta)	1900
	Installation opening height	1900
	Installation opening width	480
Installation opening depth	290	

Technical images

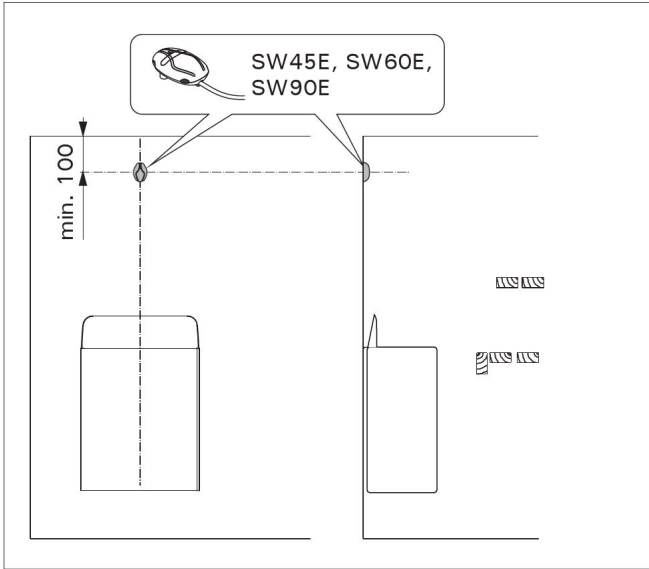
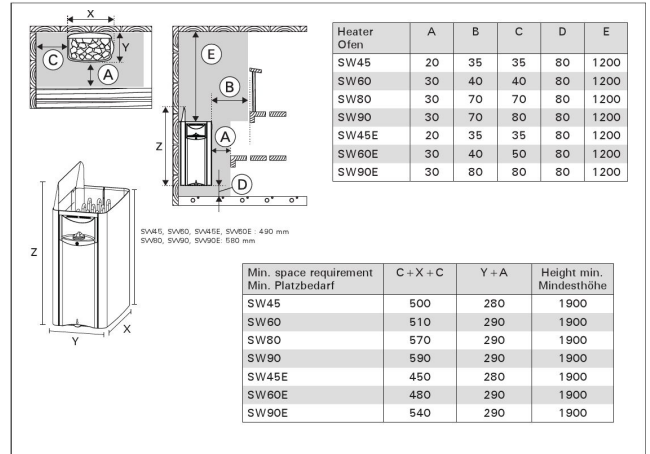


Figure 6. Installing the sensor (all dimensions in millimeters)



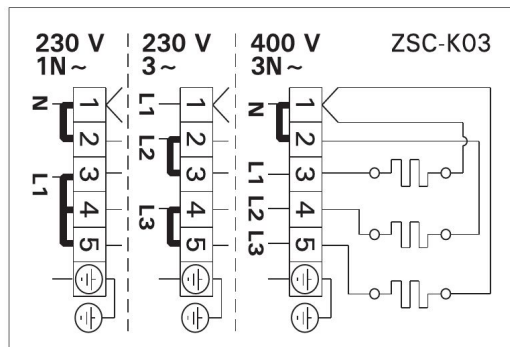
Minimum safety distances (all measurements in millimeters)

30

#	Part number Teil nr.	Name	Pcs St.
1	SW45/E SW80/E SW90 SW90/E	Y10-0016 Y10-0015 Y10-0014 ZCU-830	3
2	ZWA-007	Element support Halterung	1
3	SW E	ZWA-023 ZWA-077	1
4	SW E	ZWA-009 ZWA-059	1
5	SW E	ZWA-058	1
6	ZWA-011	Timer knob Knopf für Zeitschaltuhr	1
7	ZWA-022	Axle inlet rubber seal Gummidurchführung der Achse	1
8	ZWA-061	Indicator lights Kontrollleuchte	1
9	WX641	Clock + star lock washer Zeitschaltuhr + Zahnscheibe	1
10	ZWA-021	Thermostat knob Knopf für Thermostat	1
11	ZSK-520	Thermostat	1
12	SW45 SW80 SW90 SW90	ZWA-041 ZWA-041 ZWA-016 ZWA-016	1

SW45 SW45W	SW60 SW60E	SW80	SW90 SW90E
Y10-0016 1500 W	Y10-0015 2000 W	Y10-0014 2600 W	ZCU-830 3000 W

We recommend to use only the manufacturer's spare parts.



Heater Ofen	400V 3N~		230V 1N~	
	Fuses Sicherungen A	Power cable Anschlusskabel H07RN-F min. mm ²	Fuses Sicherungen A	Power cable Anschlusskabel H07RN-F min. mm ²
SW45E	3 x 10	5 x 1,5	25	6
SW60E	3 x 10	5 x 1,5	35	10
SW90E	3 x 16	5 x 2,5	50	10

Electrical connections (SW45E, SW60E, SW90E)