

# HARVIA THE WALL

HSWE450400M

Harvia The Wall Black Steel heater was created with a focus on functionality. Easy installation, and durable structure make The Wall heater versatile in its features. The model E sauna heater is controlled by a separate.

## Advantages

- Compact, stylish and reliable heater for medium-sized sauna rooms
- Stylish black steel color provides a modern touch
- Controlled by a separate control unit
- Option to integrate heater in the sauna bench
- Durable structure and technical features extend heaters lifespan



## Features

Main material : Steel

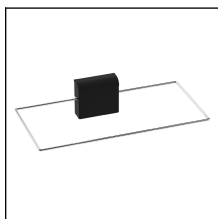
H x W x D : 610.0 x 380.0 x 260.0 mm

Net weight (kg) : 10.0

Installation location : Wall

ID	GTIN	Output (kW)	Sauna room size min - max m3
HSWE450400M	6417659026536	4.5 kW	3.0-6.0

## Related products



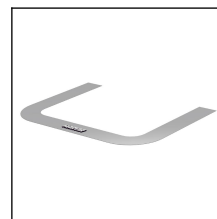
SFE-220400



HSW5



HSW5L



HSW1



HSW5

## Spare parts

Product	ID	Pcs
Thermostat/overheating limiter switch	ZSK-520	1
Timer + axel lock	WX641	1
Wall indicator lights	ZWA-061	1
Thermostat knob, The Wall	ZWA-021	1
Grid for The Wall heater	ZWA-023	1
Air flow spoiler Wall	ZWA-009	1
Timer knob, The Wall	ZWA-011	1
Axle inlet rubber seal, The Wall	ZWA-022	1
Pilot lights The Wall, red	SPZWA-061	
Grid, The Wall heater	SPZWA-023	
Lead through rubber, The Wall	SPZWA-022	
Axle short, The Wall SW45/SW60	SPZWA-041	
Heating element 1500W 230V	SPY10-0016	3
Knob timer, The Wall SW45-90	SPZWA-011	
Thermostat overheating limiter switch	SPZSK-520	
Knob thermostat, The Wall SW45-80	SPZWA-021	

## Technical details

Technical data	Type / attribute	HSWE450400M
	Color	Black Steel
	Power output	4.5 kW
	Stone sizes	Ø5-10 cm
	Stone amount (kg)	20
Dimensions	Product width	380
	Product height	610
	Product depth (mm)	260
	Net weight (kg)	10
	Gross weight	11.7
	Package width	460
	Package height	533
	Package depth	264
Safety and installation dimensions	Safety distance front (non-combustible materials)	20
	Safety distance front (combustible materials)	20
	Safety distance right side (combustible materials)	35
	Safety distance right side non-combustible materials	35
	Safety distance left side (combustible materials)	35
	Safety distance left side non-combustible materials	35
	Safety distance side (non-combustible materials)	35
	safety distance to the side wall (combustible materials)	35
	Safety distance (Ceiling)	1200
	Room min. height(depends on connections and therefore from output, star/delta)	1900
	Installation opening height	1900
	Installation opening width	540
	Installation opening depth	280

DATA SHEET

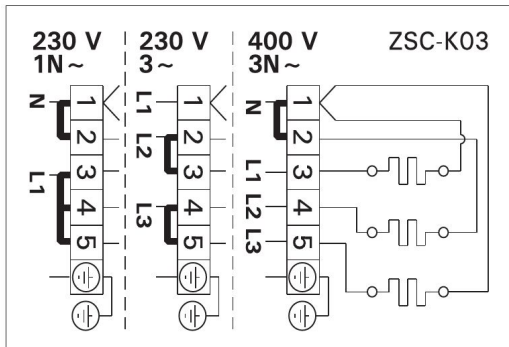
# HARVIA ELECTRIC HEATERS



**HARVIA**

Sauna & Spa

**Technical images**



Heater Ofen	400V 3N~		230V 1N~	
	Fuses Sicherungen A	Power cable Anschlusskabel HO7RN-F min. mm <sup>2</sup>	Fuses Sicherungen A	Power cable Anschlusskabel HO7RN-F min. mm <sup>2</sup>
SW45E	3 x 10	5 x 1,5	25	6
SW60E	3 x 10	5 x 1,5	35	10
SW90E	3 x 16	5 x 2,5	50	10

*Electrical connections (SW45E, SW60E, SW90E)*