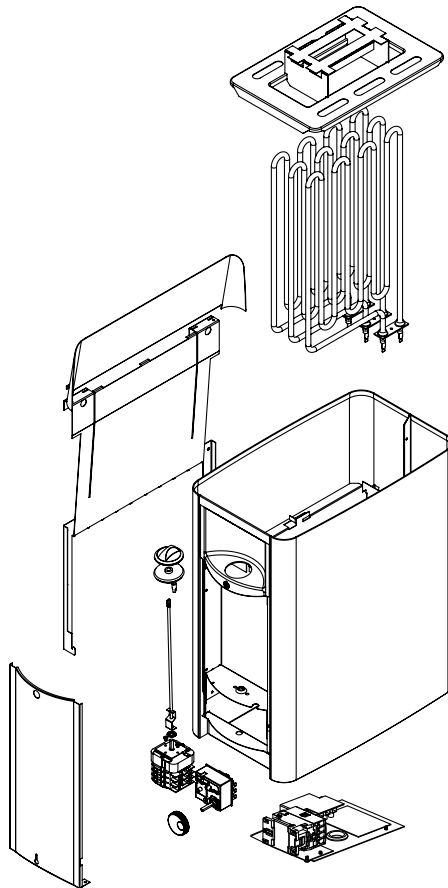


# HARVIA SPARE PARTS



## ELECTRIC HEATERS

### Cilindro XE / XW (6.8-9.0 kW)

Itm.Nr. HPC7004MXE, HPC704XE, HPC9004MXE, HPC904XE .....3

### Delta (2.3 kW, 3.6 kW)

Itm.Nr. HD234M, HDE234M, HD364M, HDE364M .....4

### Delta (2,7 kW)

Itm.Nr. HD272M .....5

### KIP (4.5-9.0 kW)

Itm.Nr. HBK450230, HBK600230, HBK800230, HBK450230S,  
HBK600230S, HBK800230S, HBK900230S, HBK900230,  
HBH600400, HBH800400, HBH450400, HBH600400ST,  
HBH800400ST, HEK900230, HEK900230S, HEK800230,  
HEK800230S, HEK450230, HEK450230S, HEK450230,  
HEK600230S, HEK600230, HEK602S, HEK802S .....6

### Legend / Legend XW (6.8-10.8 kW)

Itm.Nr. HPOE704, HPOE1104, HPO704XW, HPO1104XW .....7

### Moderna XE (4,5-8,0 kW)

Itm.Nr. HVE454XEM, HVE604XEM, HVE804XEM .....8

### Spirit (6,0-9,0 kW)

Itm.Nr. HSPE604M, HSPE904M, HSP604MXW, HSP904MXW .....9

### Spirit (6,0-9,0 kW 200 VAC)

Itm.Nr. HSPE602M, HSPE902M .....10

### Spirit (6,0-8,0 kW)

Itm.Nr. HSPE60U1M, HSPE80U1M ..... 11

### The Wall (4.5-9.0 kW)

Itm.Nr. HSWE450400, HSWE450400M, HSWE600400,  
HSWE600400M, HSWE900400, HSWE900400M, HSW450400,  
HSW450400M, HSW600400, HSW600400M, HSW800400,  
HSW800400M ..... 12

### The Wall (4.5-9.0 kW)

Itm.Nr. HSW452M, HSWE452M, HSW602M, HSWE602M.  
HSW902M, HSWE902M ..... 13

## STEAM GENERATORS

### HGD WIFI

Itm.Nr. HGD45XW, HGD60XW, HGD90XW, HGD110XW,  
HGD150XW .....14

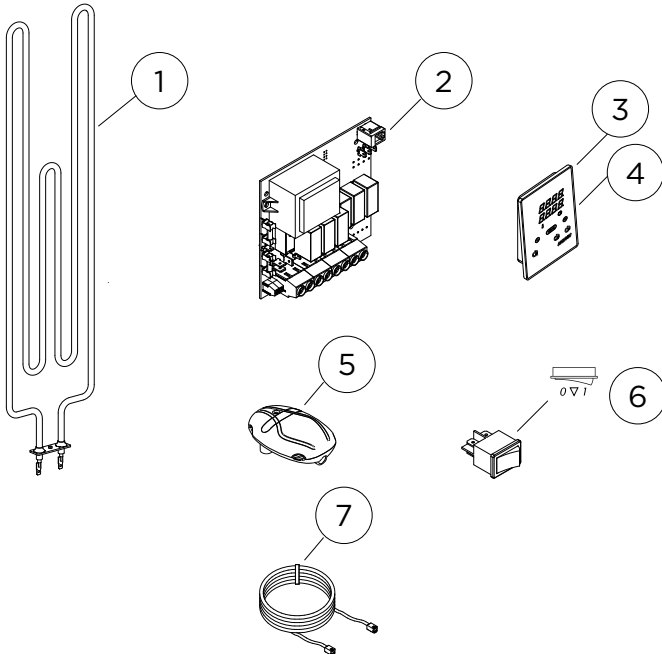
## CONTROL UNITS

## WOOD BURNING HEATERS

### Cilindro XE / XW (6.8-9.0 kW)

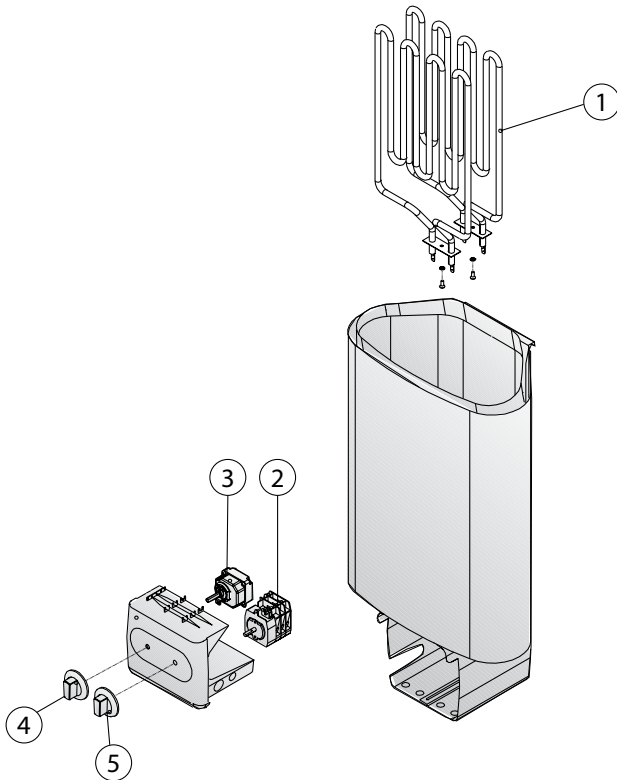
Itm.Nr. HPC7004MXE, HPC704XE, HPC9004MXE, HPC904XE

No.	Name	Type	Item code
1	Heater element 2260 W x 3	70XE, 70XW	SPZRH-720
1	Heater element 3000 W x 3	90XE, 90XW	SPZSE-259
2	Circuid board		SP683
3	Control panel	70XE, 90XE	SP380
4	Control panel	70XW, 90XW	SP694 (Wifi)
5	Temperature sensor 125 °C		SP248
6	Main switch		SPZSK-684
7	Datacable 5 m		SP311



**Delta (2.3 kW, 3.6 kW)****Itm.Nr. HD234M, HDE234M, HD364M, HDE364M**

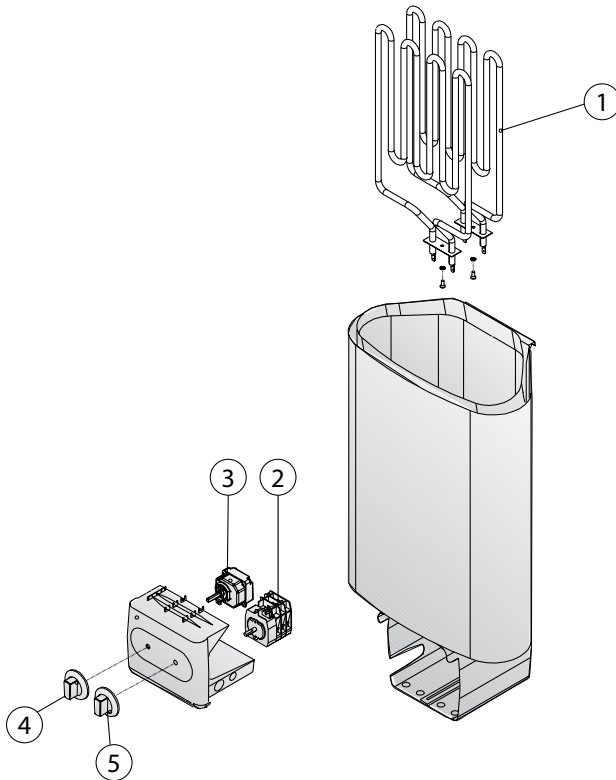
No.	Name	Type	Item code
1	Heating element 1800 W / 230 V	D29/D29E x1 D36/D36E x2	SPZSN-160
1	Heating element 1150 W / 230 V	D23/D23E x2 D29/D29E x1	SPZSN-150
2	Timer		SPZSK-510
3	Thermostat		SPZSK-520
4	Thermostat knob		SPZST-220
5	Timer knob		SPZST-230



**Delta (2,7 kW)**

**Itm.Nr. HD272M**

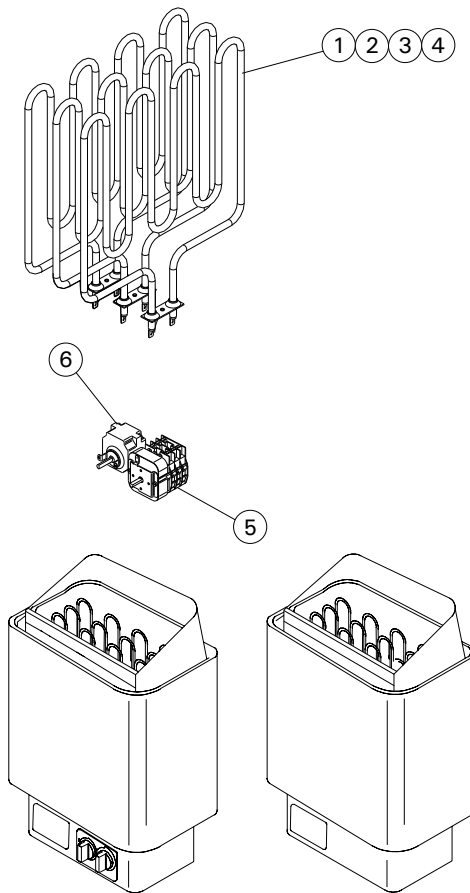
No.	Name	Item code
1	Heating element x2	SPZSN-160
2	Timer	SPZSK-510-4
3	Thermostat	SPZSK-520
4	Thermostat knob	SPZST-220
5	Timer knob	SPZWA-011-4



**KIP (4.5-9.0 kW)**

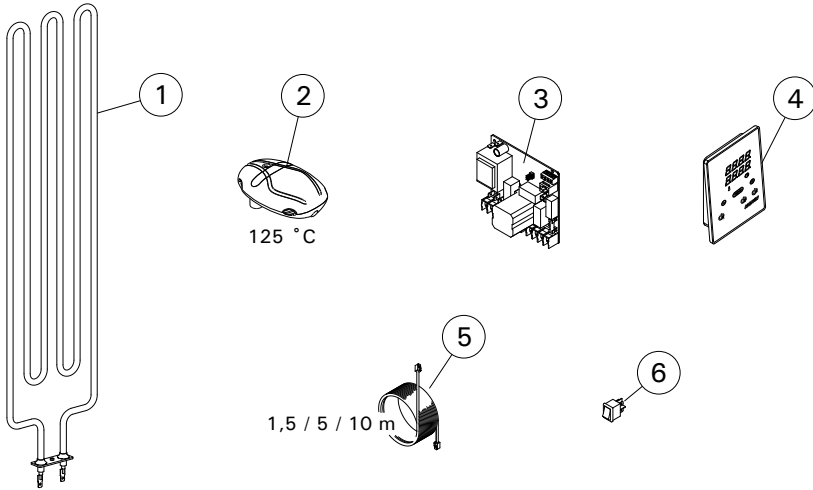
**Itm.Nr. HBK450230, HBK600230, HBK800230, HBK450230S, HBK600230S, HBK800230S, HBK900230S, HBK900230, HBH600400, HBH800400, HBH450400, HBH600400ST, HBH800400ST, HEK900230, HEK900230S, HEK800230, HEK800230S, HEK450230, HEK450230S, HEK450230, HEK600230S, HEK600230, HEK602S, HEK802S**

No.	Name	Type	Item code
1	Heater element 1500 W / 230 V	45/E	SPZSK-690
2	Heater element 2000 W / 230 V	60/E	SPZSK-700
3	Heater element 2670 W / 230 V	80/E	SPZSK-710
4	Heater element 3000 W / 230 V	90/E	SPZSK-720
5			SPZSK-510
6			SPZSK-520



**Legend / Legend XW (6.8-10.8 kW)****Itm.Nr. HPOE704, HPOE1104, HPO704XW, HPO1104XW**

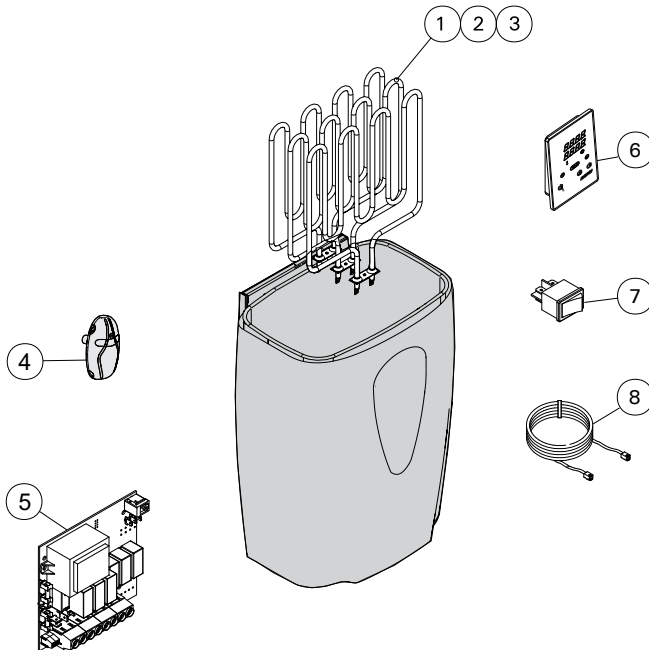
No.	Name	Type	Item code
1	Heater element 3600 W	PO110XE, PO110E	SPZSC-360
	Heater element 2260 W	PO70XE, PO70E	SPZRH-720
2	Temperature sensor 125 ° C		SP248
3	Circuid board	PO70XE, PO110XE	SP683
4	Display board	PO70XE, PO110XE	SP380
5	Datacable 5m	PO70XE, PO110XE	SP311
	Datacable 1,5m	PO70XE, PO110XE	SP312
	Datacable 10m	PO70XE, PO110XE	SP315
6	Main switch	PO70XE, PO110XE	SPZSK-684



## Moderna XE (4,5-8,0 kW)

### Itm.Nr. HVE454XEM, HVE604XEM, HVE804XEM

No.	Name	Item code
1	Heater element 1500 W / 230 V	SPZSK-690
2	Heater element 2000 W / 230 V	SPZSK-700
3	Heater element 2670 W / 230 V	SPZSK-710
4	Temperature sensor 135°C	SP247
5	Circuid board	SP683
6	Control panel	SP380
7	ON/OFF electric switch	SPZSK-684
8	Data cable 5 m	SP311

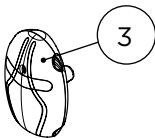
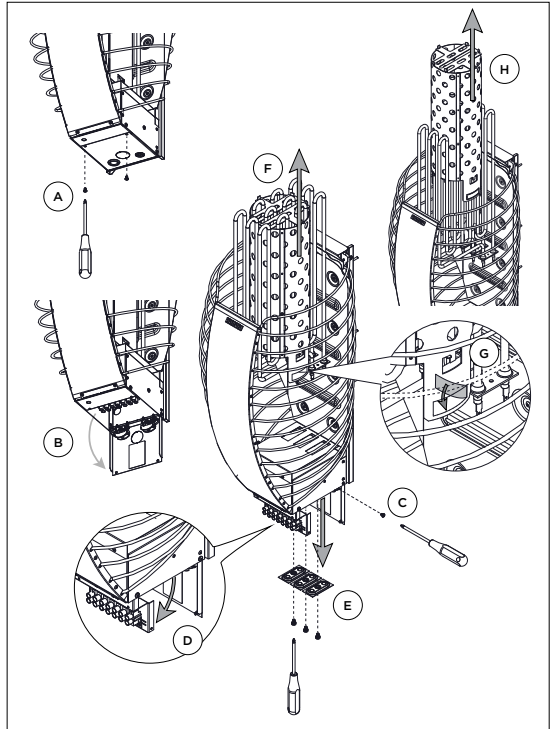
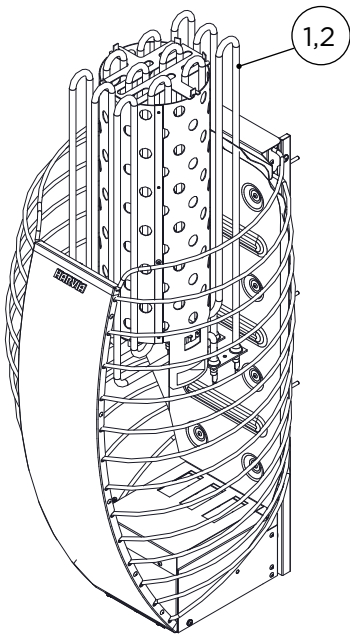




**Spirit (6,0-9,0 kW)**

**Itm.Nr. HSPE604M, HSPE904M, HSP604MXW, HSP904MXW**

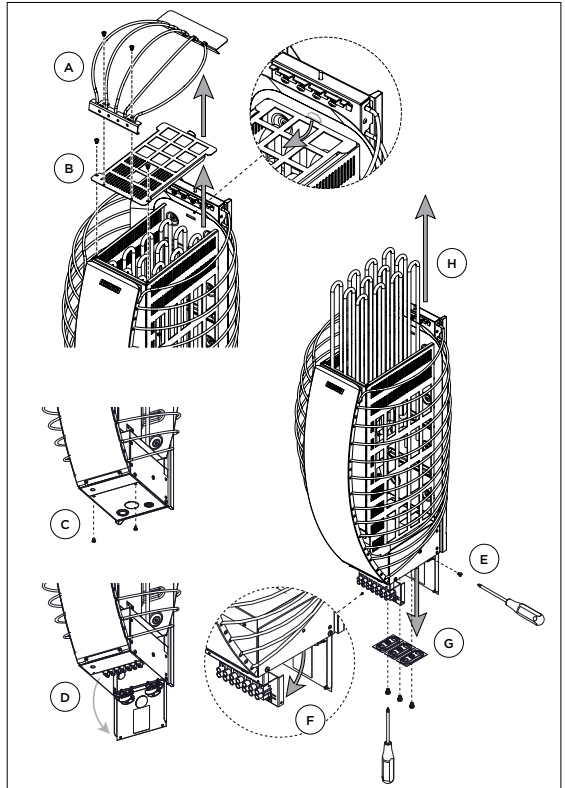
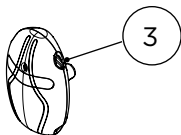
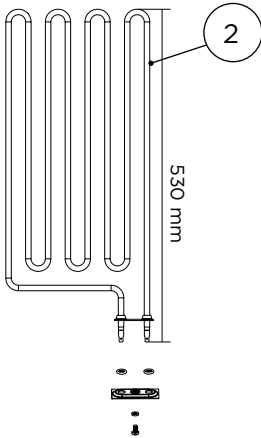
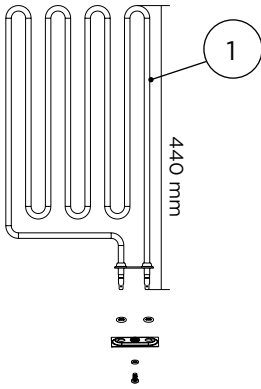
No	Name	Type	Item code
1	Heater element 2000 W	SP60E, SP60XW	SPY10-0015
2	Heater element 3000 W	SP90E, SP90XW	SPZCU-830
3	Temperature sensor 125 °C		SP248



**Spirit (6,0-9,0 kW 200 VAC)**

**Itm.Nr. HSPE602M, HSPE902M**

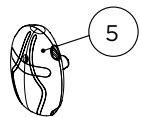
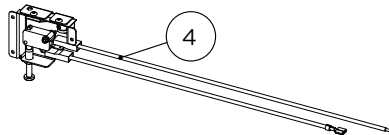
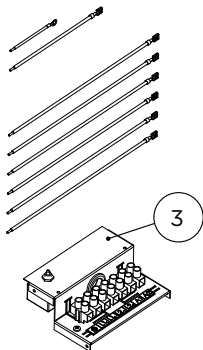
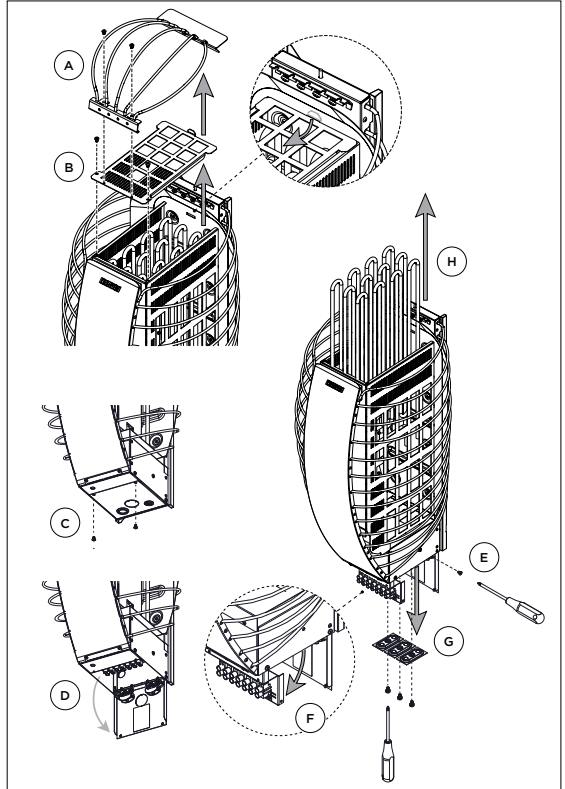
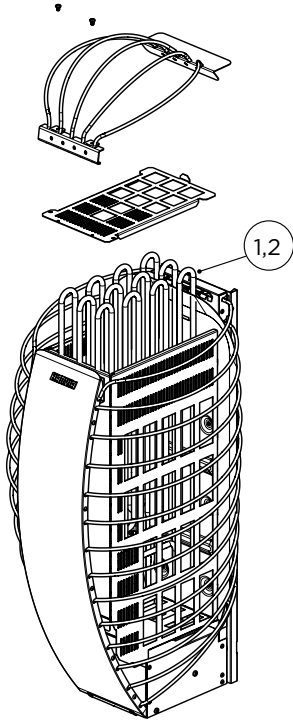
No	Name	Item code
1	Heater element 2000 W	SPY10-0025I
2	Heater element 3000 W	SPY10-0026I
3	Temperature sensor 125 °C	SP248



**Spirit (6.0-8.0 kW)**

**Itm.Nr. HSPE60U1M, HSPE80U1M**

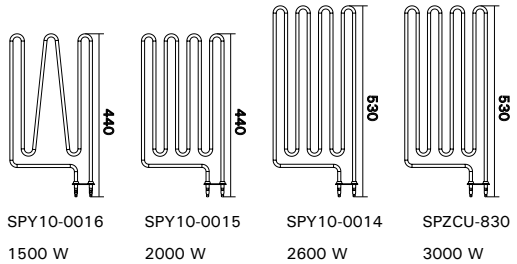
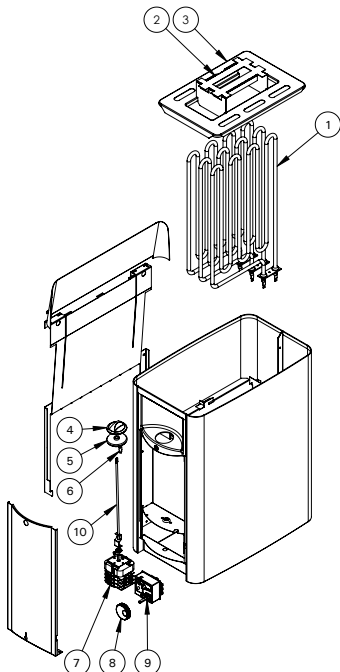
No	Name	Item code
1	Heater element 2650 W / 240 V	SPY10-0020SP
2	Heater element 2000 W / 240 V	SPY10-0021SP
3	Electric set 240V	SPZHK-018
4	Safety device switch set	SPZHK-036
5	Temperature sensor 125 °C	SP248



## The Wall (4.5-9.0 kW)

Itm.Nr. HSWE450400, HSWE450400M, HSWE600400, HSWE600400M, HSWE900400, HSWE900400M, HSW450400, HSW450400M, HSW600400, HSW600400M, HSW800400, HSW800400M

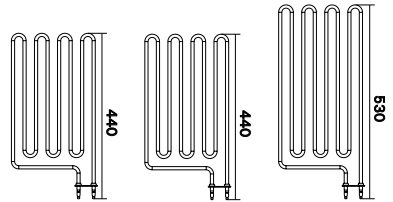
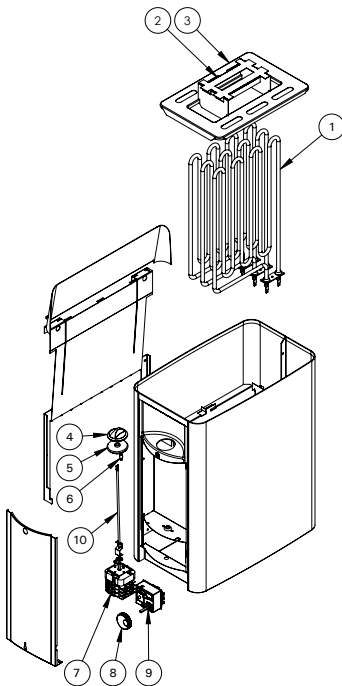
No.	Name	Type	Item code
1	Heater element 1500 W	SW45/-E	SPY10-0016
1	Heater element 2000 W	SW60/-E	SPY10-0015
1	Heater element 2600 W	SW80	SPY10-0014
1	Heater element 3000 W	SW90	SPZCU-830
2	Heating element support		SPZWA-007
3	Grid	SW	SPZWA-023
3	Grid	SW E	SPZWA-077
4	Knob for timer		SPZWA-011
5	Lead through rubber		SPZWA-022
6	Signal lamps		SPZWA-061
7	Timer + axel lock		SP641
8	Knob for thermostat		SPZWA-021
9	Thermostate/overheating limiter		SPZSK-520
10	Axel	SW45/SW60	SPZWA-041
10	Axel	SW80/SW90	SPZWA-016



## The Wall (4.5-9.0 kW)

Itm.Nr. HSW452M, HSWE452M, HSW602M, HSWE602M. HSW902M, HSWE902M

No.	Name	Type	Item code
1	Heater element 1500 W	SW45/-E	SPY10-0015
1	Heater element 2000 W	SW60/-E	SPY10-0025I
1	Heater element 3000 W	SW90/-E	SPY10-0026I
2	Heating element support		SPZWA-007
3	Grid	SW	SPZWA-023
3	Grid	SW E	SPZWA-077
4	Knob for timer		SPZWA-011-4
5	Lead through rubber		SPZWA-022
6	Signal lamps		SPZWA-061
7	Timer (4h)		SPZSK-510-4
8	Knob for thermostat		SPZWA-021
9	Thermostat		SPZSK-520
10	Axel	SW45/SW60	SPZWA-041
10	Axel	SW90	SPZWA-016



SPY10-0015	SPY10-0025I	SPY10-0026I
1500 W	2000 W	3000 W



## HGD WIFI

### Itm.Nr. HGD45XW, HGD60XW, HGD90XW, HGD110XW, HGD150XW

No.	Name	Model	Item code	pcs.
1	Heating element 1500 W/230 V	HGD45XW	SPZG-330T	3
	Heating element 1900 W/230 V	HGD60XW	SPZG-340T	3
	Heating element 3000 W/230 V	HGD90XW	SPZG-350T	3
	Heating element 3600 W/230 V	HGD110XW	SPZG-360T	3
	Heating element 5000 W/230 V	HGD150XW	SPZG-365T	3
2	Sediment cup		SPZSTM-170	1
3	Manual discharge valve		SPZG-575	1
4	Overpressure valve		SPZG-580	1
5	Water level sensor		SPZSG-092	1
6	Nut		SPZSG-014	1
7	Solenoid valve		SPZG-379	1
8	Circuit board		SP645	1
9	Contactors		SPZSK-778	2
10	Main switch		SPZSK-684	1
11	Control panel		SP700	1

### Optional parts and devices

12	Automatic discharge valve	ZG-700
13	Data cable 1.5 m	SP312
	Data cable 10 m	SP315
	Data cable 20 m	SP319
14	Fragrance pump	ZG-900
15	Connection part for fragrance pump	SPZSTM-195

