

HARVIA CILINDRO

HPC7004MXE

The Harvia Cilindro pillar heaters are stylish electric heaters ideal for many needs. The size and massive stone quantity of the heater are optimised to provide a smooth, yet powerful sauna bath in saunas of all sizes – from small family saunas to large public ones.



Features

Main material : Steel

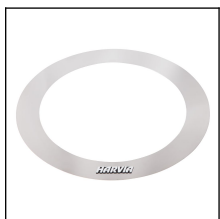
H x W x D : 930.0 x 320.0 x 320.0 mm

Net weight (kg) : 9.3

Installation location : Floor

ID	GTIN	Output (kW)	Sauna room size min - max m3
HPC7004MXE	6417659026086	6.8 kW	6.0-10.0

Related products



HPC1



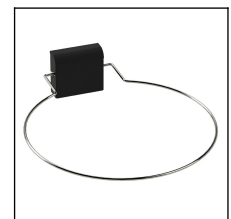
HPC2



HPC3



HPC2L



SFE-D350

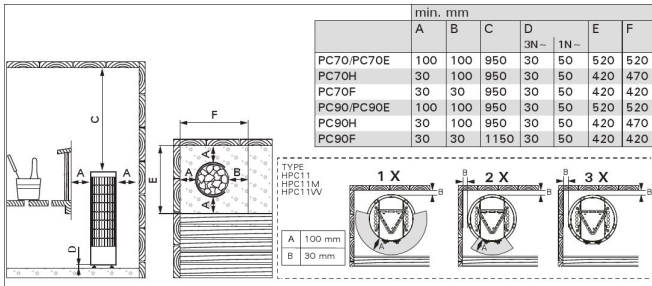
Spare parts

Product	ID	Pcs
Heating element 2260W/230V Figaro	ZRH-720	1
Adjustable leg	ZSA-440	
Support plate for heating elements	ZSC-140	1
Cilindro 7/9 power unit assembly	ZSC-184	
Support plate middle	SPZSC-140	
Electronic set Cilindro PC70-110XE (inc. Powerun.display and sensor)	SPZSC-184	
Heating element 2260W 230V	SPZRH-720	3

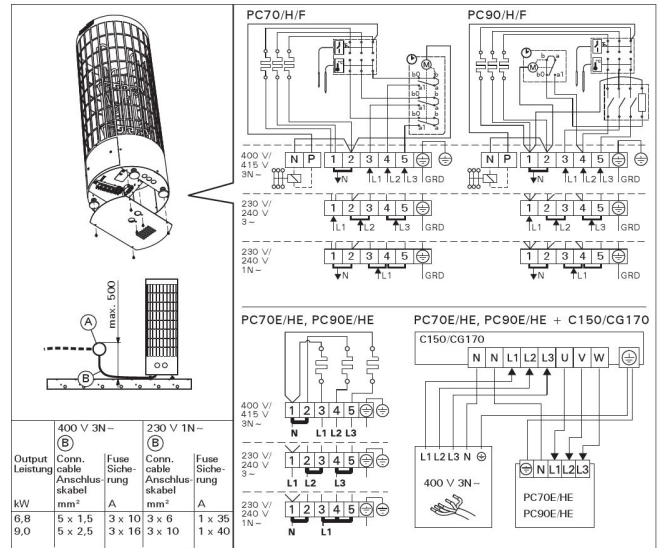
Technical details

Technical data	Type / attribute	HPC7004MXE
	Color	Black Steel
	Power output	6.8 kW
	Stone sizes	Ø5–10 cm
	Stone amount (kg)	90
Dimensions	Product width	320
	Product height	930
	Product depth (mm)	320
	Net weight (kg)	9.3
	Gross weight	10.7
	Package width	330
	Package height	975
	Package depth	330
Safety and installation dimensions	Safety distance front (non-combustible materials)	100
	Safety distance front (combustible materials)	100
	Safety distance right side (combustible materials)	100
	Safety distance right side non-combustible materials	100
	Safety distance left side (combustible materials)	100
	Safety distance left side non-combustible materials	100
	Safety distance side (non-combustible materials)	100
	safety distance to the side wall (combustible materials)	100
	Safety distance behind (non-combustible materials)	100
	Safety distance behind (combustible materials)	100
	Safety distance (Ceiling)	950
	Room min. height(depends on connections and therefore from output, star/delta)	1900
	Installation opening height	1900
Installation opening width	520	
Installation opening depth	520	

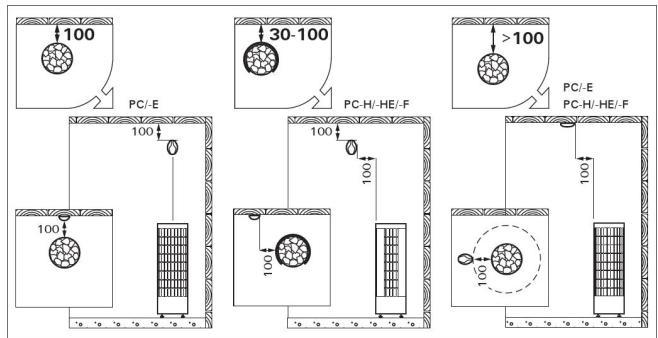
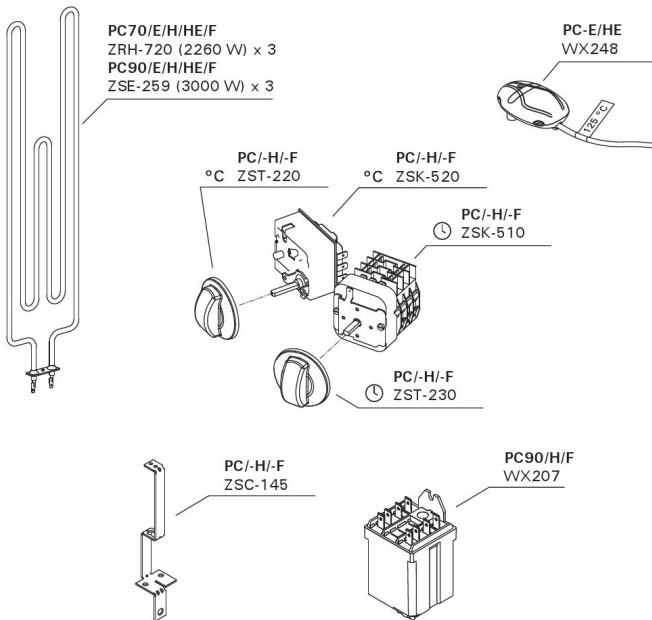
Technical images



Safety distances (all dimensions in millimeters)



Electrical connections



Installing the sensor (all dimensions in millimeters)

We recommend to use only the manufacturer's spare parts.