

HARVIA CILINDRO

HPC704XE

The Harvia Cilindro XE electric heater is a modern pillar heater that boasts digital control. Thanks to its large quantity of stones, the heater guarantees soft heat in medium-sized saunas. The design of the heater is sure to satisfy even the most demanding interior decorator – the pillar model can be embedded in the middle of the benches.

Advantages

- The tall sauna heater looks impressive in the sauna and embedded into the bench. Exterior made out of stainless steel
- Separate digital control (Xenio)
- The large quantity of stones guarantees a soft heat
- Versatile backlit control panel with touch buttons and digital displays
- Can be used remotely with a separate Xenio WiFi remote control kit and MyHarvia app



Features

Main material : Steel

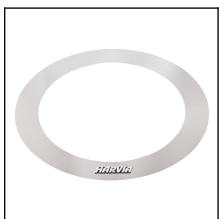
H x W x D : 930.0 x 320.0 x 320.0 mm

Net weight (kg) : 9.3

Installation location : Floor

ID	GTIN	Output (kW)	Sauna room size min - max m3
HPC704XE	6417659028097	6.8 kW	6.0-10.0

Related products



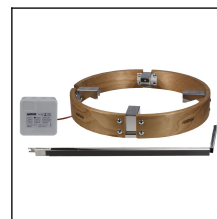
HPC1



HPC2



HPC3



HPC3L



HPC2L

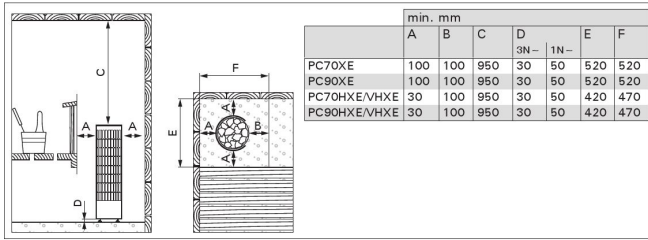
Spare parts

Product	ID	Pcs
Heating element 2260W/230V Figaro	ZRH-720	3
Adjustable leg	ZSA-440	
Support plate for heating elements	ZSC-140	1
Cilindro 7/9 power unit assembly	ZSC-184	
Support plate middle	SPZSC-140	
Electronic set Cilindro PC70-110XE (inc. Powerun.display and sensor)	SPZSC-184	
Heating element 2260W 230V	SPZRH-720	3

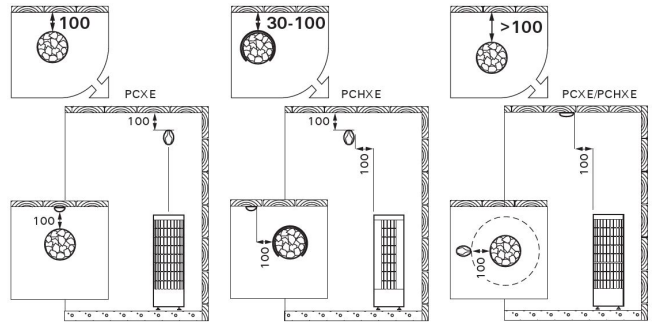
Technical details

Technical data	Type / attribute	HPC704XE
	Color	Stainless Steel
	Power output	6.8 kW
	Stone sizes	Ø5–10 cm
	Stone amount (kg)	90
Dimensions	Product width	320
	Product height	930
	Product depth (mm)	320
	Net weight (kg)	9.3
	Gross weight	10.7
	Package width	330
	Package height	975
	Package depth	330
Safety and installation dimensions	Safety distance front (non-combustible materials)	100
	Safety distance front (combustible materials)	100
	Safety distance right side (combustible materials)	100
	Safety distance right side non-combustible materials	100
	Safety distance left side (combustible materials)	100
	Safety distance left side non-combustible materials	100
	Safety distance side (non-combustible materials)	100
	safety distance to the side wall (combustible materials)	100
	Safety distance behind (non-combustible materials)	100
	Safety distance behind (combustible materials)	100
	Safety distance (Ceiling)	950
	Room min. height(depends on connections and therefore from output, star/delta)	1900
	Installation opening height	1900
	Installation opening width	520
Installation opening depth	520	

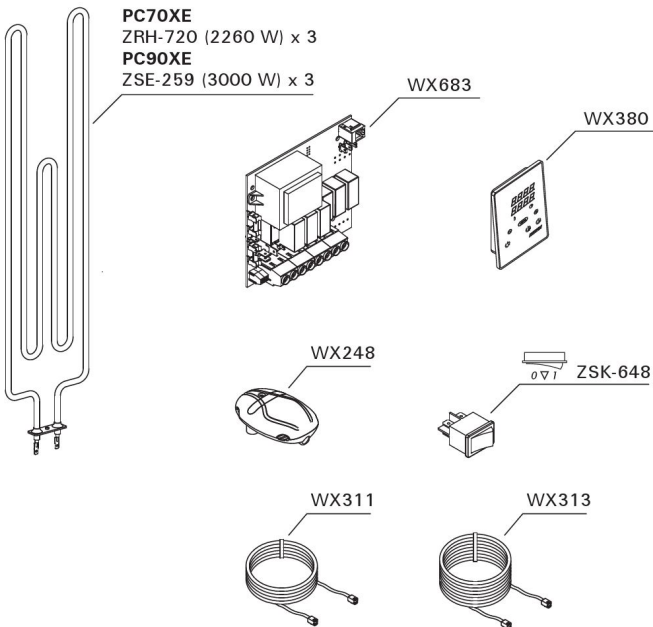
Technical images



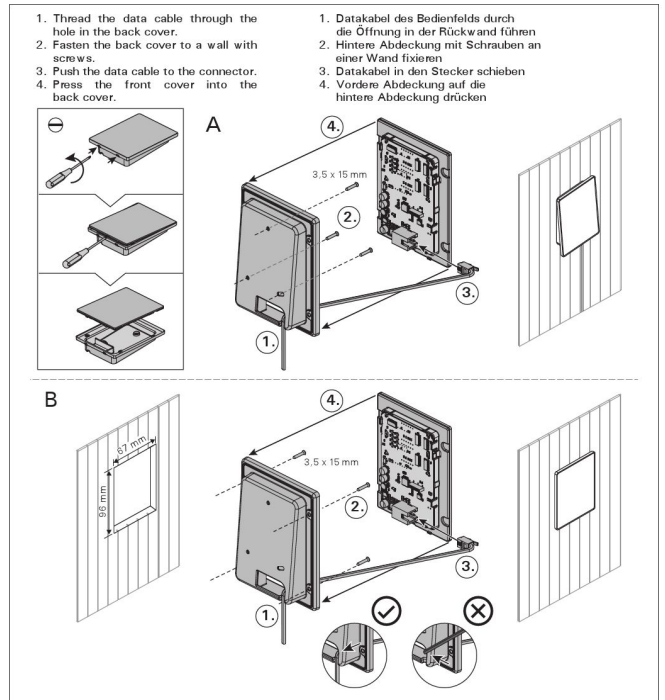
Safety distances (all dimensions in millimeters)



Installing the sensor (all dimensions in millimeters)



We recommend to use only the manufacturer's spare parts.



Fastening the control panel